

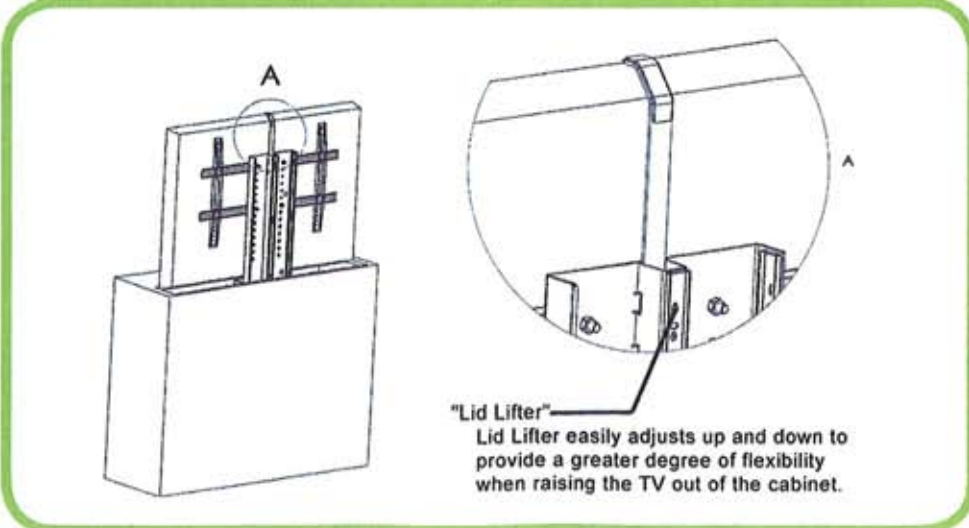
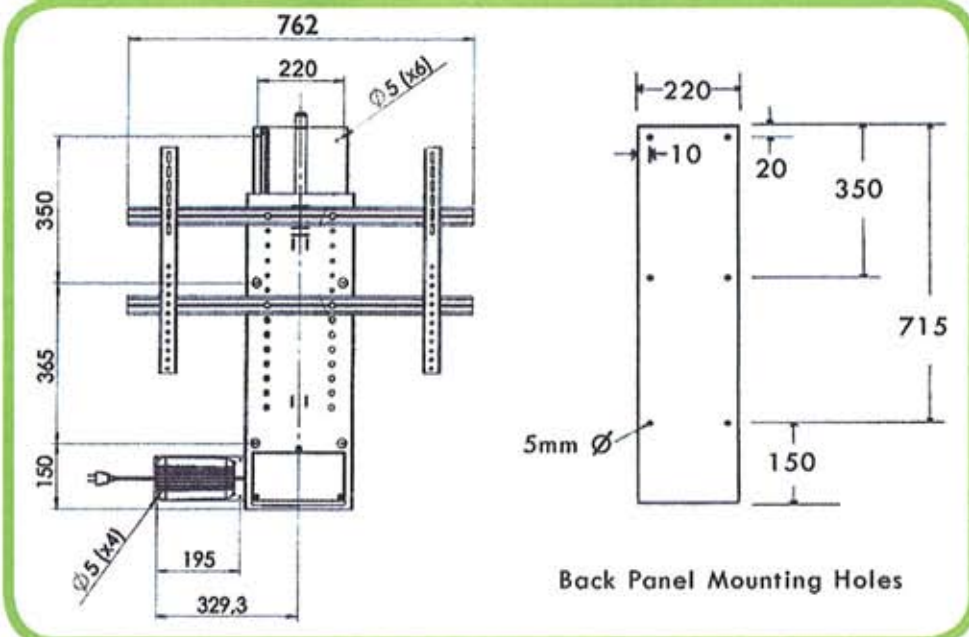
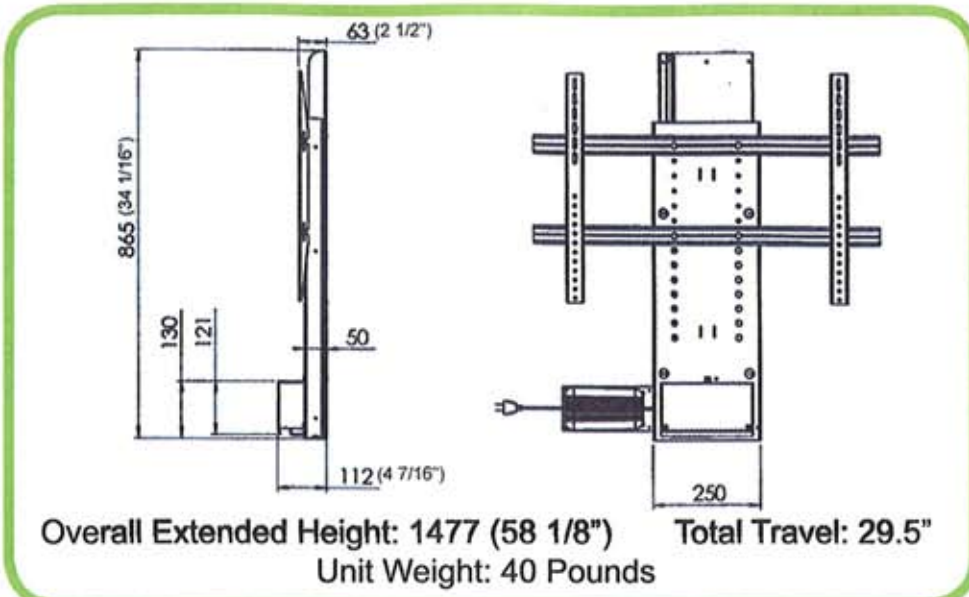
CUSTOM SERVICE HARDWARE

1170 Wauwatosa Road, Cedarburg, Wisconsin 53012

E-mail: service@cshardware.com Web Page: cshardware.com



Whisper-Ride™ Electric Flat Screen TV Lift



- Features:**
- High-quality German Bosch motor for whisper quiet operation
 - Ball-Bearing guide system for added stability
 - Requires only 2 3/4" of depth behind the TV
 - Weight capacity of 200 pounds
 - Can be easily mounted by one person in just minutes using only a screwdriver
 - Radio command remote control operation with manual over-ride switch
 - Very competitively priced
 - Warranty: 2 Years on Motor and 5 Years on Hardware



For Current Pricing Contact CSH (800) 882-0009