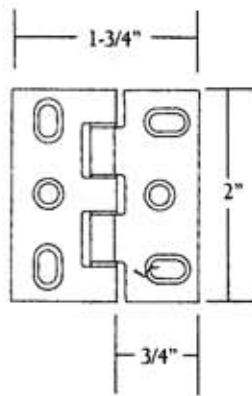
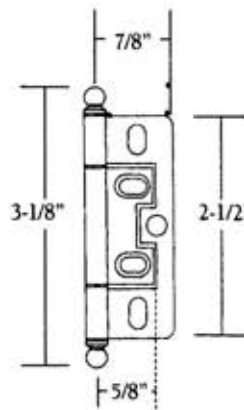


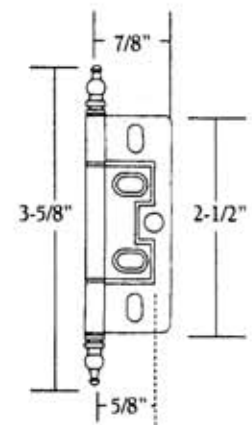
2501 Hinge - Mortise  
Hinge material: steel  
Finial material: brass



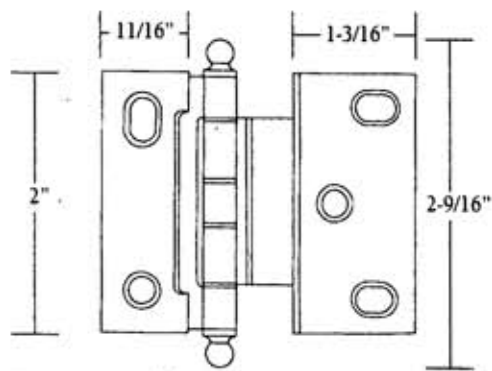
2505 Hinge - Mortise  
Hinge material: steel



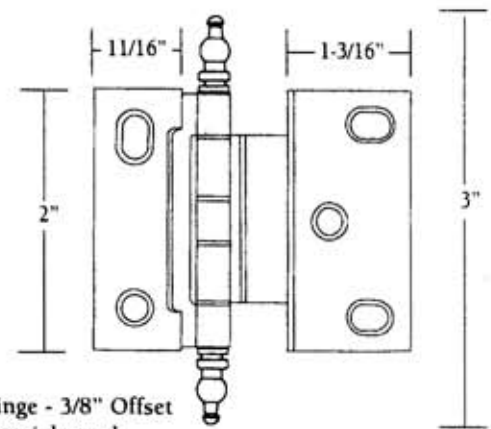
2511 Hinge - Non-mortise  
Hinge material: steel  
Finial material: brass



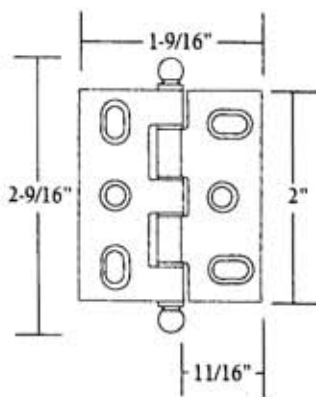
2512 Hinge - Non-mortise  
Hinge material: steel  
Finial material: brass



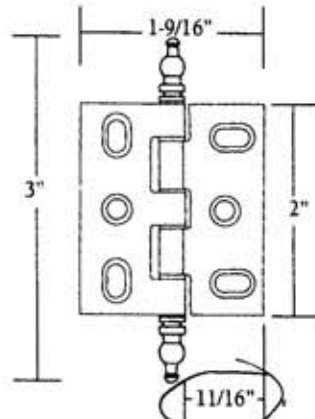
2541 Hinge - 3/8" Offset  
Hinge material: steel  
Finial material: brass



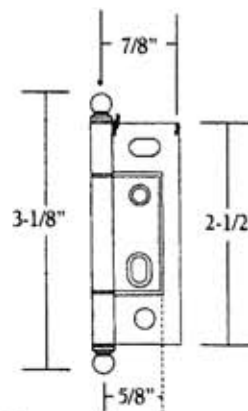
2542 Hinge - 3/8" Offset  
Hinge material: steel  
Finial material: brass



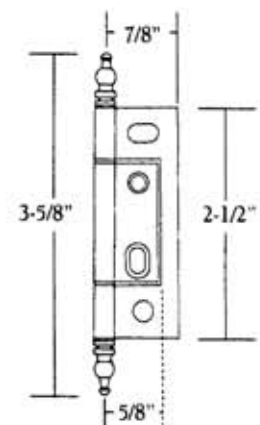
2571 Hinge - Mortise  
Hinge material: brass extrusion  
Finial material: brass



2572 Hinge - Mortise  
Hinge material: brass extrusion  
Finial material: brass



2581 Hinge - Non-mortise  
Hinge material: brass extrusion  
Finial material: brass



2582 Hinge - Non-mortise  
Hinge material: brass extrusion  
Finial material: brass

All hinges feature fully adjustable screw holes. We furnish #6 x 5/8" PH Flat Head screws finished to complement with every hinge.

*Fine Solid Brass Decorative Hardware*