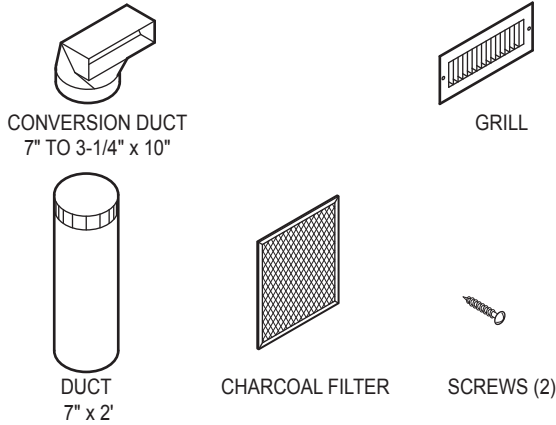


< NAME OF PARTS >



Please confirm contents in the above figure first.

FIG 1

The liner and the power unit are completely installed. Please refer to each installation book for the installation method.

Assemble the duct and the conversion duct temporarily, and decide the location of the grill. Adjust length by cutting the duct to preferred length. Cut a rectangular hole for the grill in the soffit when the location of the grill is decided. Remove the protection seal of the grill.

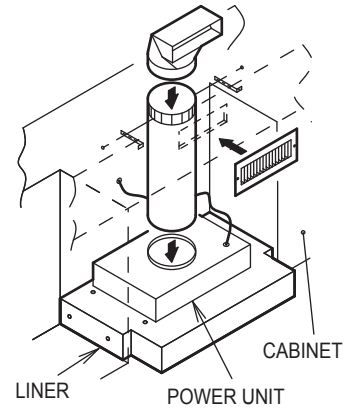


FIG 2

Attach the conversion duct to the wall or soffit. Attach the grill with the screws provided to the soffit. Please refer to cross section FIG4 for detailed assembly. Do the taping to each joint with the duct tape. When installing without a soffit, please refer FIG5

**CAUTION**

- Do not use screws to join the duct parts.
- Be careful not to expand the hole too much, and be careful not to damage soffit etc.

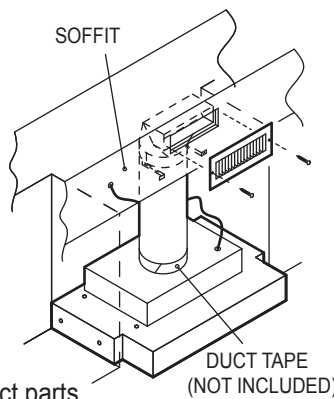
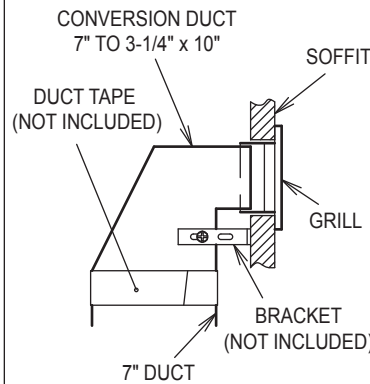


FIG 3



< The cross section >

FIG 4

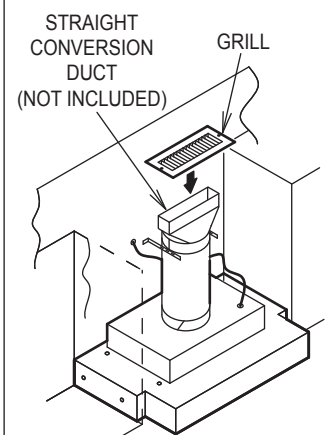


FIG 5

The charcoal filter is placed on the backside of the slot filter and it is reinstalled in the unit. Note do not place the charcoal filter over screw hole.

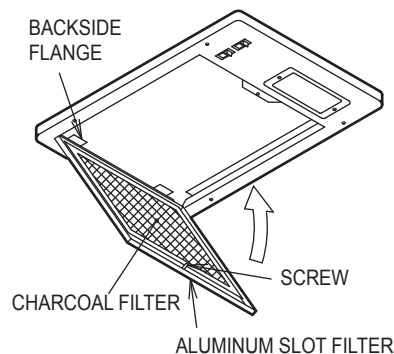


FIG 6

**NOTE**

The charcoal filter should be replaced every three to six months, depending on the amount of cooking that is done.

Finally, please install wood hood.

**Your installation is now complete. If you should require service or replacement parts on your ventilation system, contact:**

Fuji Industrial USA, Inc.  
16300 Christensen Rd, #212 Seattle, WA 98188  
1-888-547-9880

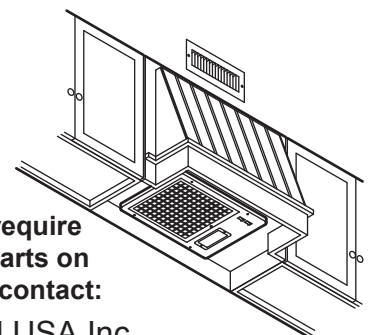


FIG 7

**READ AND SAVE THESE INSTRUCTIONS.**  
Keep this manual in a convenient place for future reference.

FUJI INDUSTRIAL CO.,LTD .