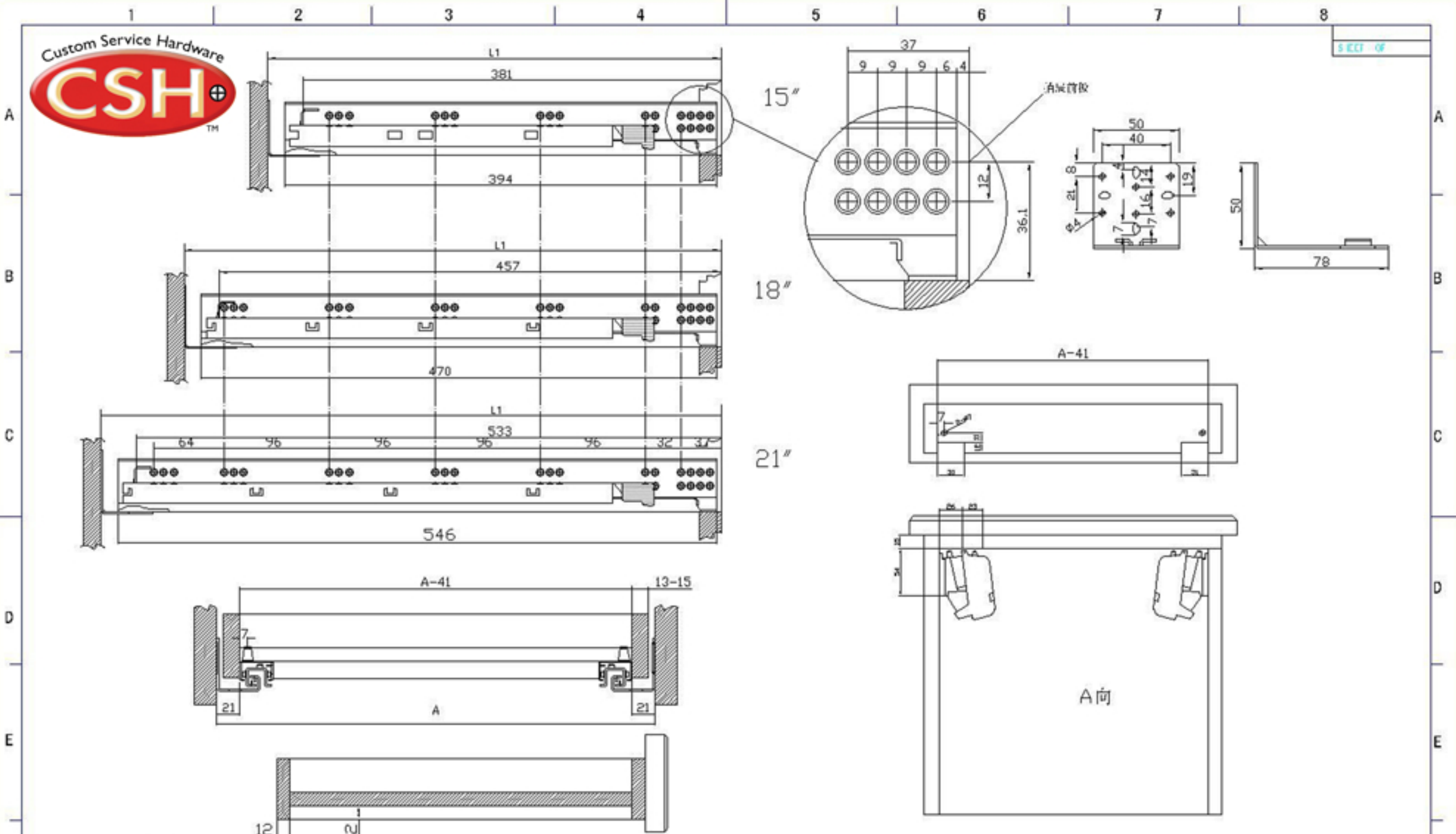




SECT. OF



9128	15"	18"	21"
DRAWER LENGTH	381	457	533
CABINET MIN. DEPTH	413	489	553
CABINET MAX. DEPTH	443	519	595

DIM.	0~3mm	3~10mm	10~30mm	30~100mm	100~300mm	300mm~以上
Tolerance	±0.05mm	±0.1mm	±0.25mm	±1mm	±3mm	±5mm

DRAWING NO:		installation diagrams		APPROVED		DATE	
TOTAL:		UNIT		CHECK		DATE	
DIMENSION CLASSIFICATION		SCALE		DRAW BY		DATE	
● CRITICAL		mm		A4			
○ MAJOR		mm					

MARK	REV.	DESCRIPTION	DATE