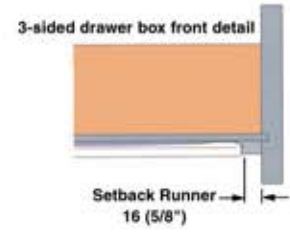
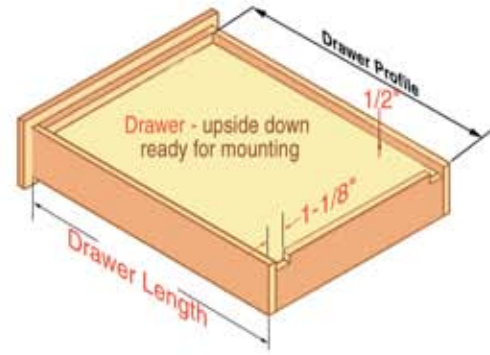
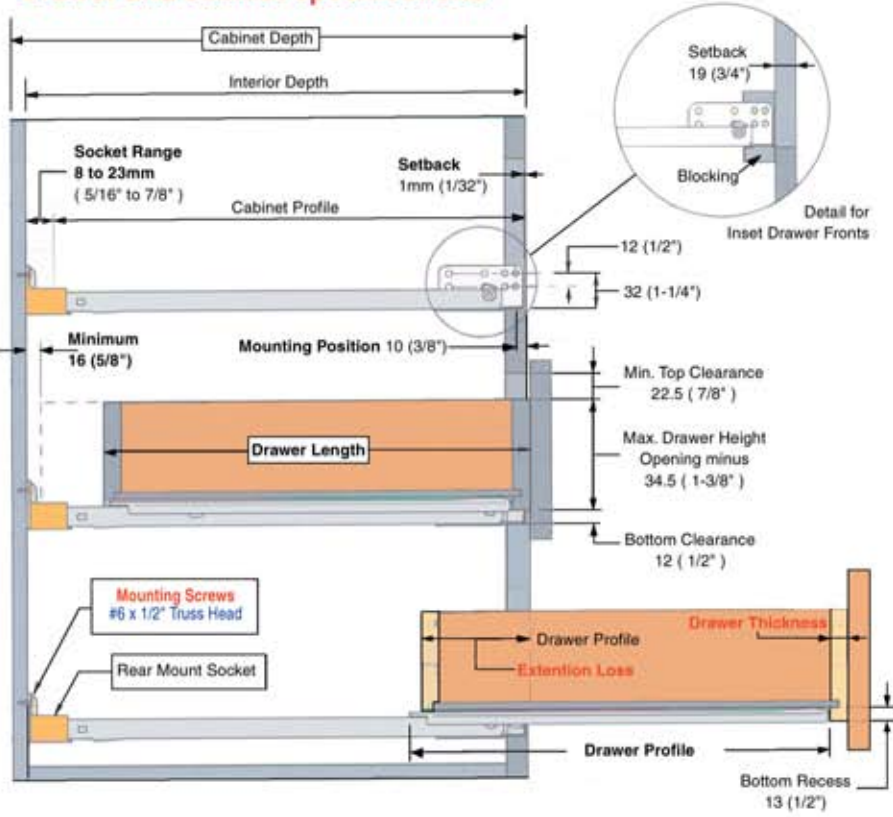


330 Concealed Drawer Slide

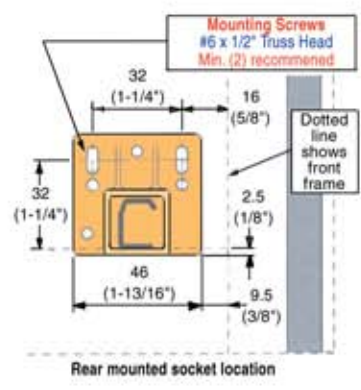
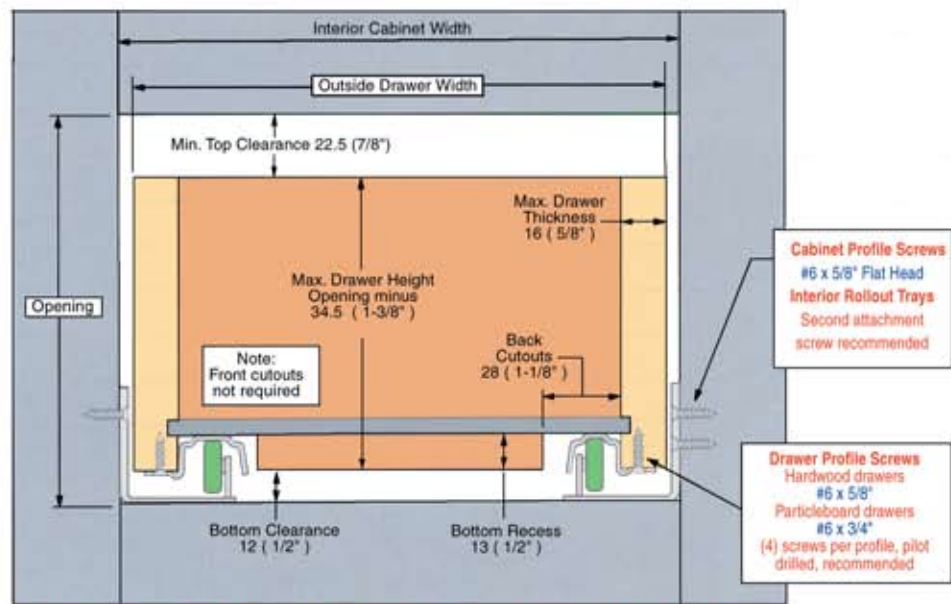
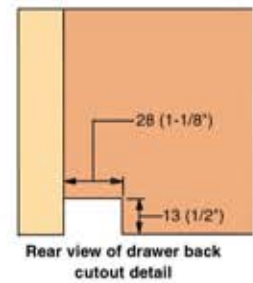
Drawer and cabinet specifications



Calculating Outside Drawer Width

For drawer thickness	16 (5/8")	14 (9/16")	13 (1/2")	11 (7/16")
Deduct from interior cabinet width	10 (3/8")	14 (9/16")	16 (5/8")	20 (3/4")

Example:
 24" interior cabinet width
 5/8" drawer thickness
 24" - 3/8" = 23-5/8" outside drawer width



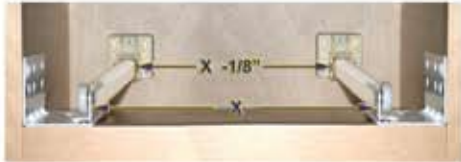
Max. Drawer Height and Min. Top clearance are based on ability to remove drawer straight and without tilting.
 Smaller top clearances can be achieved with a shorter drawer or if drawer tilting is acceptable. A trial is recommended.

330 Concealed Drawer Slide

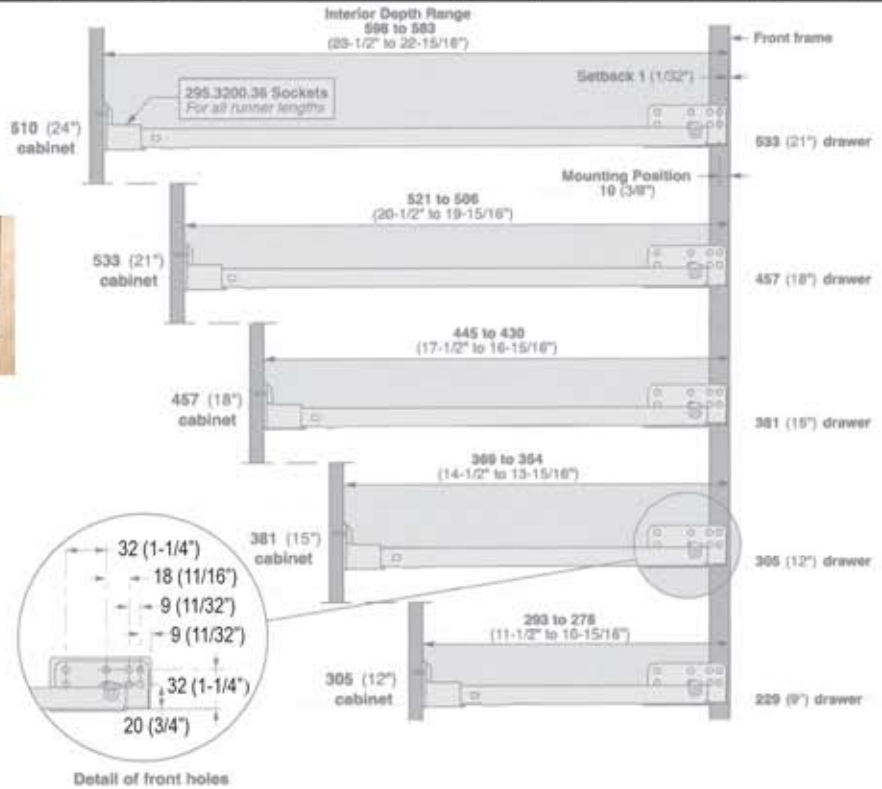
Overlay Applications

Runner	Cabinet Depth	Interior Depth			Max. Drawer Thk.	Expansion Loss	Cabinet Profile Length	Drawer Profile Length
		Maximum	Minimum	Drawer Length				
262H5330	610 (24")	598 (23-1/2")	583 (22-15/16")	533 (21")	16 (5/8")	112 (4-7/16")	574 (22-9/16")	528 (20-3/4")
262H4570	533 (21")	521 (20-1/2")	506 (19-15/16")	457 (18")		102 (4")	497 (19-9/16")	451 (17-3/4")
262H3810	457 (18")	445 (17-1/2")	430 (16-15/16")	381 (15")		92 (3-5/8")	421 (16-9/16")	375 (14-3/4")
262H3050	381 (15")	369 (14-1/2")	354 (13-15/16")	305 (12")		82 (3-1/4")	345 (13-9/16")	299 (11-3/4")
262H2290	305 (12")	293 (11-1/2")	278 (10-15/16")	229 (9")		69 (2-3/4")	269 (10-9/16")	223 (8-3/4")

Extension Loss based on listed drawer length with drawer thk. of 5/8". For 1/2" drawer thk. add 1/8" to Extension Loss.



Back Socket Dimensions



Inset Applications

Runner	Cabinet Depth	Interior Depth			Max. Drawer Thk.	Expansion Loss	Cabinet Profile Length	Drawer Profile Length
		Maximum	Minimum	Drawer Length				
262H5330	610 (24")	598 (23-1/2")	583 (22-15/16")	533 (21")	16 (5/8")	112 (4-7/16")	574 (22-9/16")	528 (20-3/4")
262H4570	533 (21")	521 (20-1/2")	506 (19-15/16")	457 (18")		102 (4")	497 (19-9/16")	451 (17-3/4")

* Extension Loss based on listed drawer length with drawer thk. of 5/8". For 1/2" drawer thk. add 1/8" to Extension Loss.

Setback and Mounting Position based on drawer thk. of 5/8" with 3/4" drawer front thk. fitting flush to front of frame.

