

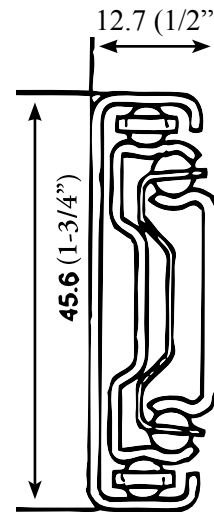
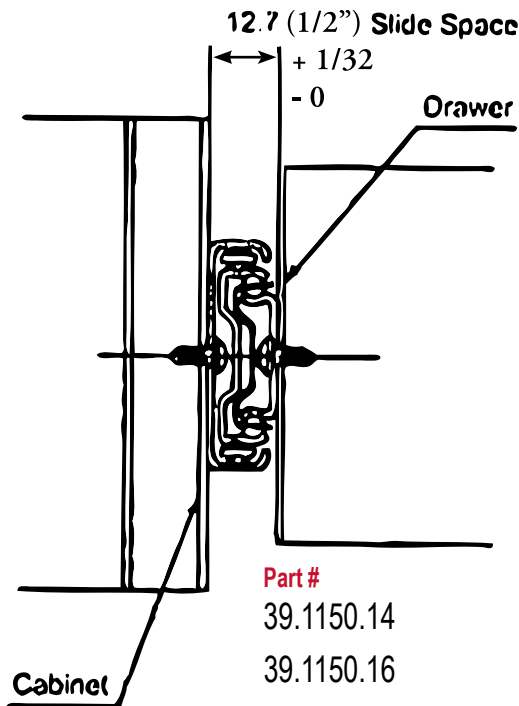
# 1150 Drawer Slide Spec Sheet



*Value* Full Extension Slide 100 LBS CAPACITY



- Mounting** Side Mount
- Slide Clearance** 1/2" (+ 1/32, - 0)
- Height** 45.6mm (1.75")
- Loading** 100 Pound Class rating at 18"
- Size** 14", 16", 18", 20", 22", 24" (see chart below)
- Feature** Accuride® 3800 & KV® 8400 Replacement, Easy lever disconnect  
32mm hole pattern, Non-handed, Steel ball bearings
- Finish** Zinc plated, Clear Chromate finish



Part #	Overall length	Case	10-case
39.1150.14	350mm (13- 25/32")	\$2.66	\$2.25
39.1150.16	400mm (15- 3/4")	3.04	2.57
39.1150.18	450mm (17- 23/32")	3.42	2.89
39.1150.20	500mm (19- 11/16")	3.82	3.24
39.1150.22	550mm (21- 23/32")	4.19	3.54
39.1150.24	600mm (23- 5/8")	4.61	3.90

**Full Case Quantity Only** (15 sets per case)

Recommended Screws: CSH part # **0.TPC08**. (determine length for your needs)