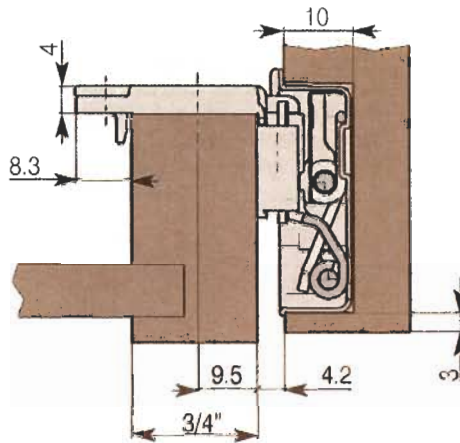


C85 Series



6-way adjustment frame hinge

Technical data



Size in mm

Range

CUP BORING PATTERN AVAILABLE OVERLAYS		11		9.5		9.5	
		42	42	45	45	45	45
1 1/4" O.L. W/ REAR TAB		C857101GG	C857131GG	C857111GG	C857141GG		
1 1/4" O.L. W/O REAR TAB		C85710AGG	C85713AGG	C85711AGG	C85714AGG		
1 3/8" O.L. W/ REAR TAB		C857103GG	C857133GG	C857113GG	C857143GG		
1 3/8" O.L. W/O REAR TAB		C85710CGG	C85713CGG	C85711CGG	C85714CGG		
1 7/16" O.L. W/ REAR TAB		C857104GG	C857134GG	C857114GG	C857144GG		
1 7/16" O.L. W/O REAR TAB		C85710DGG	C85713DGG	C85711DGG	C85714DGG		

Ferrari hold the right to alter or amend any technical or structural specifications at any time without notice.

ITALY
Agostino Ferrari S.p.A.
I - 23878 Verderio S. (LC) Via per Cornate
Tel. +39 039 59001 - Fax +39 039 590222
Web Site: www.ferrarispa.it - e-mail: ferrarispa@ferrarispa.it

U.S.A.
Ferrari America INC.
4189 Eagle Hill Drive - Suite 110 - High Point - North Carolina 27265 - U.S.A.
Tel. 001 336 8411445 - Fax 001 336 8413543
Web Site: www.ferrariamerica.com - e-mail: ferrariusa@northstate.net