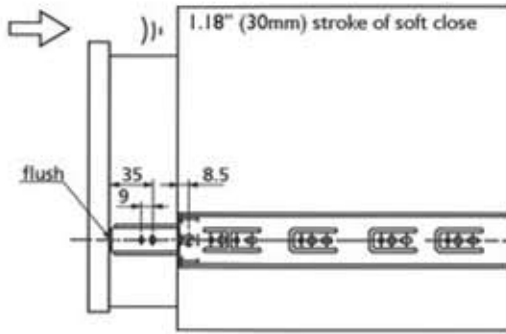


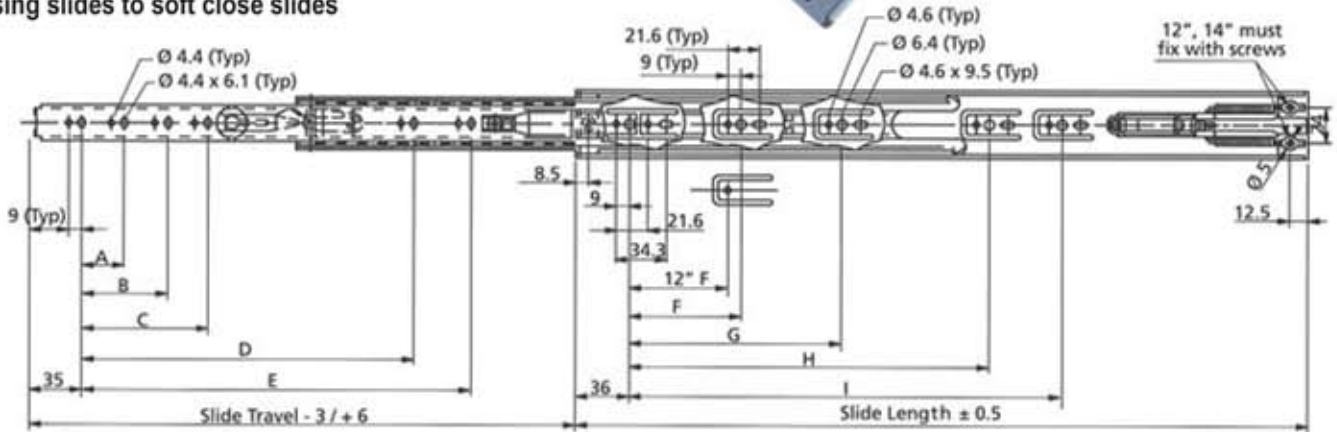
Full Extension Ball Bearing Drawer Slide with Oil Cylinder **Soft Close** Mechanism



NEW!
Soft Close
Side Mount

Features

- Soft-close function with oil cylinder
- 1.18" (30mm) stroke of soft-close
- Soft-close function built in slide, easy for installation
- Non-handed disconnect release
- Side spacing 17/32" per side (1-1/16" overall)
- Screw mounting system 32 mm compatible
- 7.7 - 8.1 lbs (3.5 - 3.7 kg) pull force for engaging opening
- Load rating 100 lbs per pair at 22" length
- Economically upgrade your standard and self-closing slides to soft close slides



Model 4070

Size	Actual Length mm/in	Actual Travel mm/in	A	B	C	D	E	F	G	H	I
12"	300mm / 11 13/16"	238mm / 9 3/8"	96				156	119			
14"	350mm / 13 3/4"	305mm / 12"	96				200	128			
16"	400mm / 15 3/4"	378mm / 14 7/8"	96				256	128	208		
18"	450mm / 17 3/4"	430mm / 17"	128				294	128	256		
20"	500mm / 19 11/16"	482mm / 19"	96	160			344	128	304		
22"	550mm / 21 5/8"	533mm / 21"	96	160	352		394	128	224	352	
24"	600mm / 23 5/8"	584mm / 23"	128	192	384		444	128	224	352	
26"	650mm / 25 9/16"	635mm / 25"	128	224	416		494	128	224	352	448
28"	700mm / 27 9/16"	685mm / 27"	128	224	416	480	544	128	224	352	496

